

INSTALLATION INSTRUCTIONS

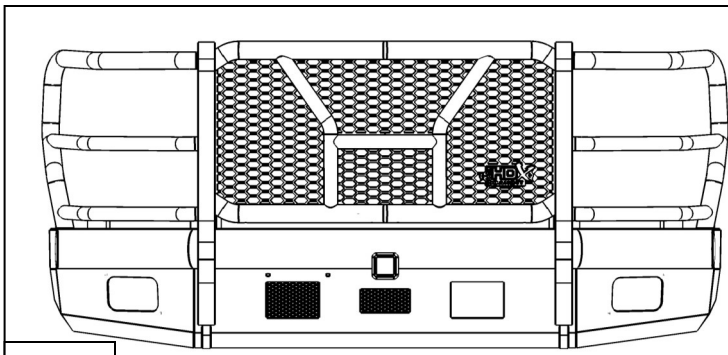
HDX BANDIT FRONT BUMPER



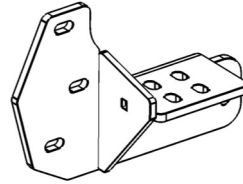
APPLICATION:
2017-2019 Ford F250/350
PART NUMBER:
58-31125

CONTENT			
ITEM	QUANTITY	DESCRIPTION	TOOLS NEEDED
1	1	FRONT BUMPER ASSEMBLY	18MM SOCKET
2	2	FRAME BRACKET; 1 DRIVER, 1 PASSENGER	18MM WRENCH
3	2	PLASTIC PLUGS	13MM SOCKET
4	2	UPPER U-BRACKET; 1 DRIVER, 1 PASSENGER	13MM WRENCH
5	2	LOWER U-BRACKETS	10MM SOCKET
6	1	ACC WINDOW	10MM WRENCH
7	1	ACC COVER	RATCHET
8	1	ACC SUPPORT BRACKET A	TORQUE WRENCH
9	1	ACC SUPPORT BRACKET B	ALLEN WRENCH
10	4	M12 BOLT PLATE	
11	6	LONGER M12 HEX HEAD CAP SCREW	
12	8	SHORTER M12 HEX HEAD CAP SCREW	
13	32	M12 FLAT WASHER	
14	18	M12 HEX NUT	
15	18	M12 SPLIT LOCK WASHER	
16	4	M8 HEX HEAD CAP SCREW	
17	8	M8 FLAT WASHER	
18	4	M8 NYLOCK NUT	
19	2	LONGER M6 HEX HEAD CAP SCREW	
20	4	SHORTER M6 HEX HEAD CAP SCREW	
21	12	M6 FLAT WASHER	
22	10	M6 SPLIT LOCK WASHER	
23	6	M6 HEX NUT	
24	4	M6 BUTTON HEAD BOLT	

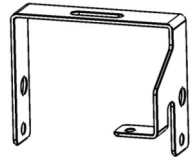
ANTI-SEIZE LUBRICANT MUST BE USED ON ALL STAINLESS STEEL FASTENERS TO PREVENT THREAD DAMAGE AND GALLING



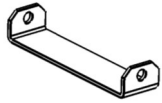
ITEM 1



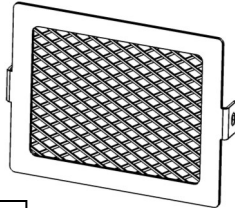
ITEM 2 (Passenger)



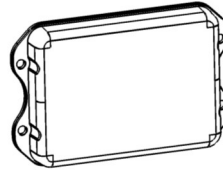
ITEM 4 (Driver)



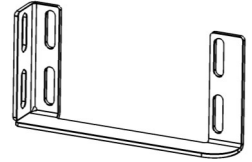
ITEM 5



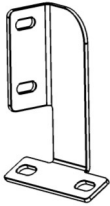
ITEM 6



ITEM 7



ITEM 8



ITEM 9

PROCEDURE

1. Remove contents from box, verify if all parts listed are present and free from damage. Carefully read and understand all instructions before attempting installation.

Failure to identify damage before installation could lead to a rejection of any claim.

2. Remove the license plate and bracket. On models with factory fog lights, unplug both lights. Release the wiring harness from the clips attached to the back of the bumper, **(Figures 1 & 2)**. Move harness away from bumper.

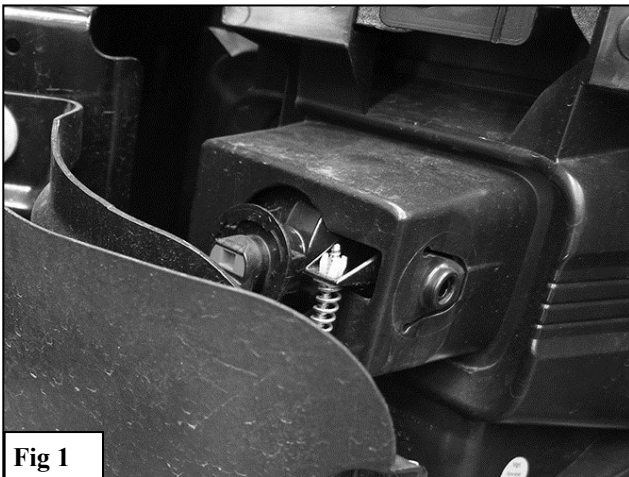


Fig 1

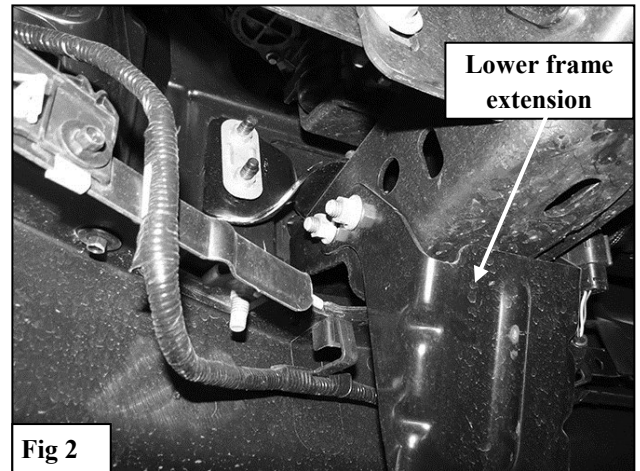


Fig 2

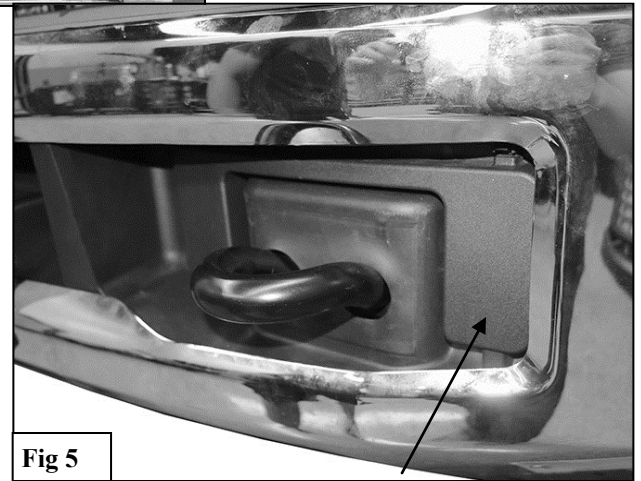
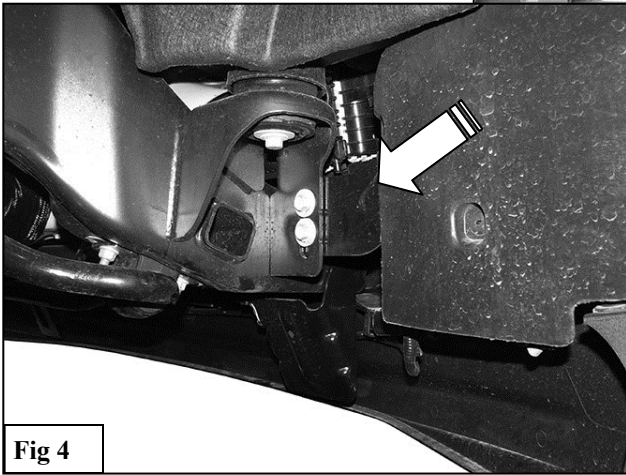


Westin Automotive Products, Inc.
320 W. Covina Blvd
San Dimas, Ca. 91773

Thank you for choosing Westin products
for additional installation assistance please call
Customer Service (800) 793-7846

www.westinautomotive.com

3. Next, remove the plastic lower air dam from the bottom of the bumper, (**Figure 3**). Remove the outer bumper supports attaching the outer ends of the bumper to the sides of the frame, (**Figure 4**). Remove the plastic covers from the tow hooks to uncover the bumper bolts, (**Figure 5**).



4. Place blocks or jack stands under the front bumper to support it during mounting bolt removal. Once the bumper has been safely supported, remove the (8) factory bumper bolts, (**Figure 6**).

WARNING! Assistance is required to hold the bumper in place during bolt removal to prevent the bumper from falling. Carefully slide the bumper off over the tow hooks.



5. Remove the passenger/right side tow hook from the end of the frame, (**Figure 7**). Next, remove the (4) factory hex nuts, lower frame extension and double bolt plates from the end of the frame, (**Figures 2 & 7**). Repeat for Driver Side.

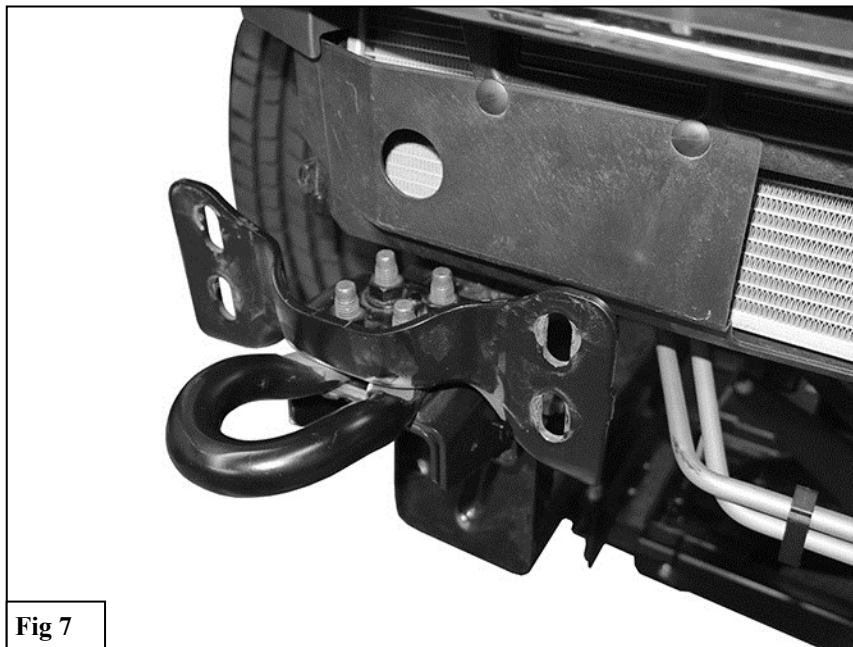
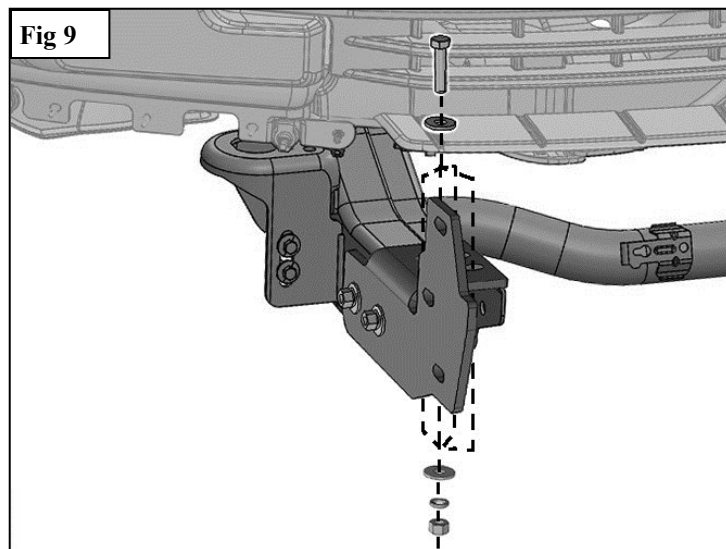
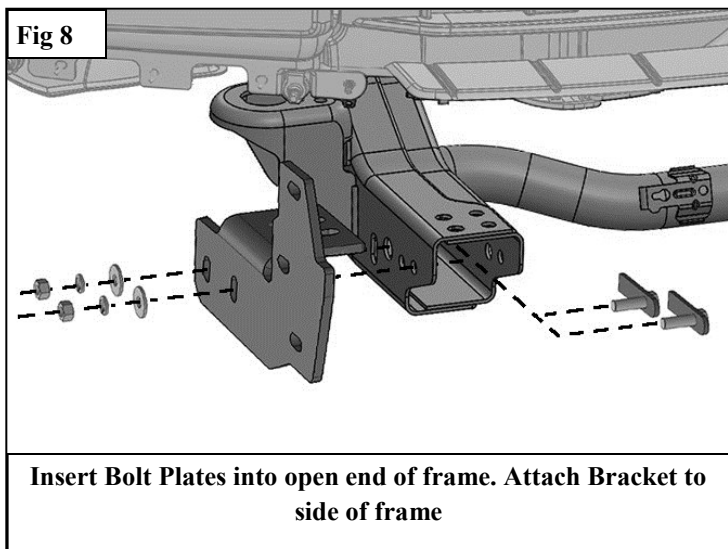


Fig 7

6. Next, select the passenger/right Frame Bracket (2). Slide the Bracket over the end of the frame. Line up the slots in the side of the Bracket with the holes in the outer side of the frame. Select (2) 12mm Bolt Plates (item 10). Insert the M12 Bolt Plates (item 10) into the open end of the frame and out through the Bracket. Attach the Bracket to the Bolt Plates with (2) M12 Flat Washers (item 13), (2) M12 Lock Washers (item 15) and (2) M12 Hex Nuts (item 14), (**Figure 8**). Leave loose at this time.
7. Attach the mounting tab on the top of the Bracket to the top of the frame with the included (4) M12 Hex Bolts (item 12), (8) M12 Flat Washers (item 13), (4) M12 Lock Washers (item 15) and (4) M12 Hex Nuts (item 14), (**Figure 9**). Do not fully tighten hardware at this time.



OPTIONAL STEP: ACC INSTALLATION

Determine if vehicle is equipped with an adaptive cruise control, (ACC). **NOTE:** Install the ACC assembly onto Bumper before mounting Bumper to end of frame.

Vehicles without ACC:

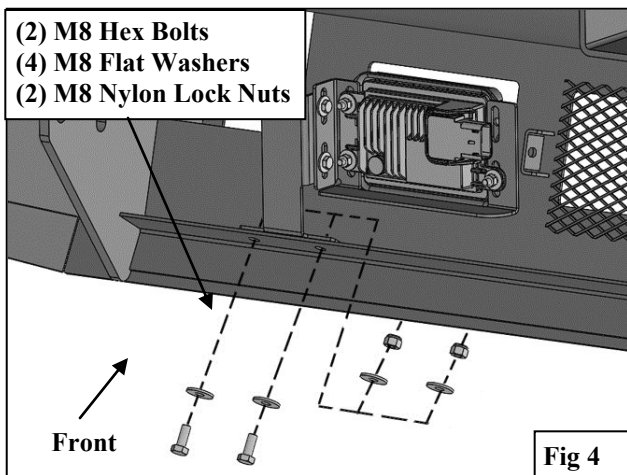
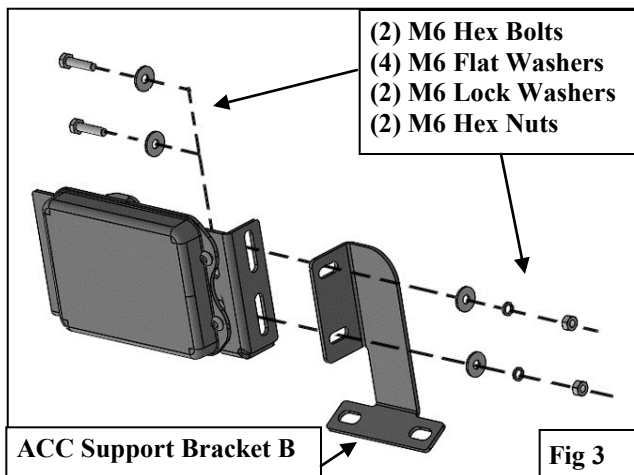
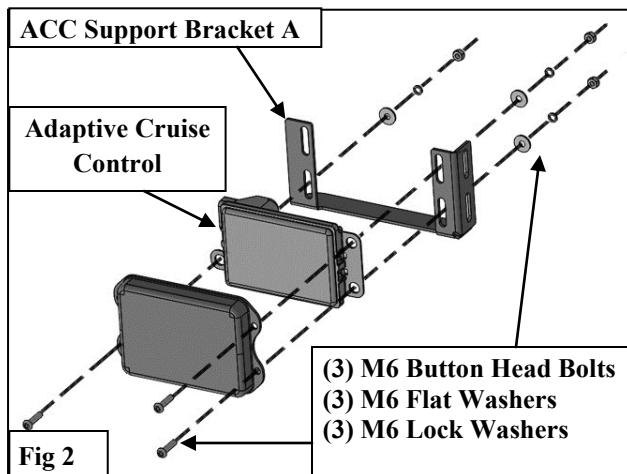
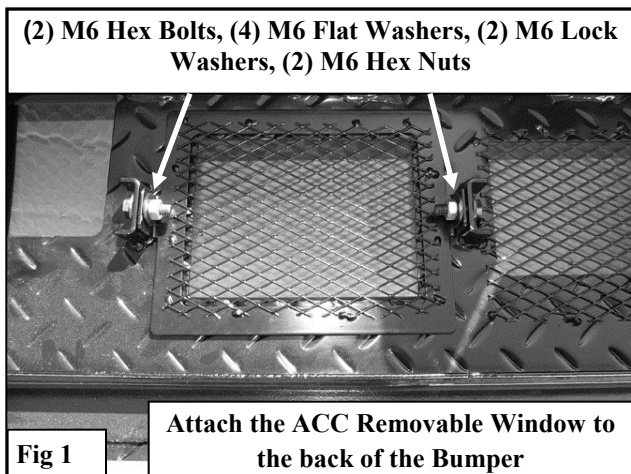
- a. Attach the ACC Removable Window to the back of the bumper using (2) M6 Hex Bolts (item 19), (4) M6 Flat Washers (item 21), (2) M6 Lock Washers (item 22) and (2) M6 Hex Nuts (item 23), **(Figure 1)**.

Continue to **Step 8** of bumper installation.

Vehicles with ACC:

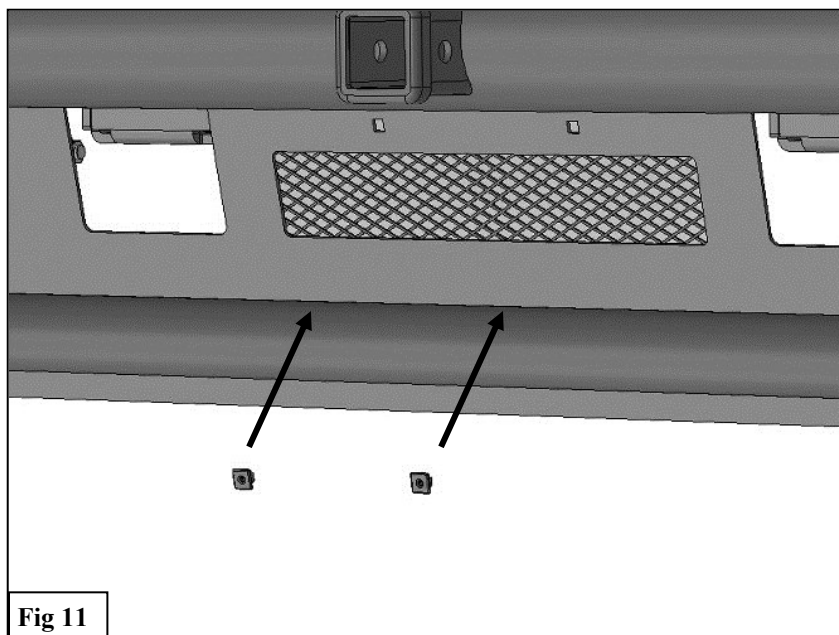
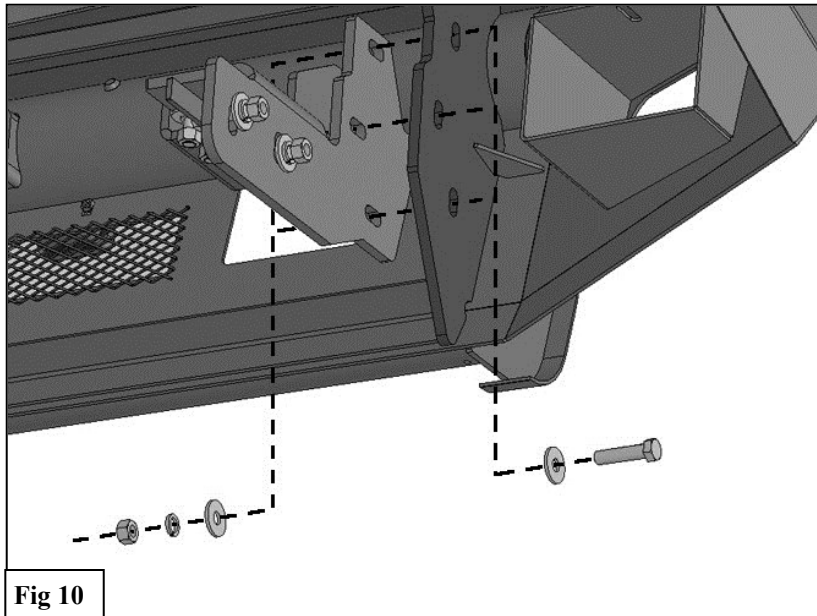
Select the ACC Plastic Cover and the ACC Support Bracket A, **(Figure 2)**. Insert (3) M6 Button Head Bolts (item 24) through the ACC Plastic Cover, the adaptive cruise control and out through the ACC Support Bracket A. Secure with (3) M6 Flat Washers (item 21), (3) M6 Lock Washers (item 22) and (3) M6 Hex Nuts (item 23), **(Figure 2)**.

- b. Next, attach the ACC Support Bracket B to Bracket A using (2) M6 Hex Bolts (item 20), (4) M6 Flat Washers (item 21), (2) M6 Lock Washers (item 22) and (2) M6 Hex Nuts (item 23), **(Figure 3)**.
- c. Attach the ACC assembly to the back of the bumper using (2) M8 Hex Bolts (item 16), (4) M8 Flat Washers (item 17) and (2) M8 Nylon Lock Nuts (item 18), **(Figure 4)**.



BUMPER INSTALL CONT.

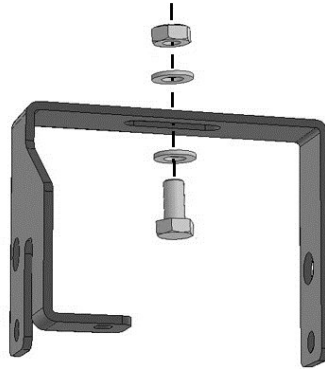
8. Repeat **Steps 5-7** to attach the driver/left Frame Bracket to the end of the frame.
9. With assistance, carefully position the Bumper Assembly up to the Brackets. Temporarily support the weight of the Bumper. **WARNING:** To avoid possible injury or damage to the vehicle, do not proceed until the bumper is fully and safely supported.
10. Line up the (3) holes in the passenger/right side of the Bumper (item 1) with the (3) holes in the Frame Bracket (item 2). Attach the Bumper to the Bracket with the included (3) M12 Hex Bolts (item 11), (6) M12 Flat Washers (13), (3) M12 Lock Washers (item 15) and (3) M12 Hex Nuts (item 14), (**Figure 10**). Do not fully tighten hardware at this time. Repeat to attach the driver/left side of the Bumper to the Bracket.
11. Level and adjust the bumper and fully tighten all M12 hardware to 65-70ft-lbs.
12. Use the included (2) push-in plastic plugs (item 3) to attach the front license plate, (if required), to the (2) holes in the front bumper, (**Figure 11**).



13. Models with factory fog lights:

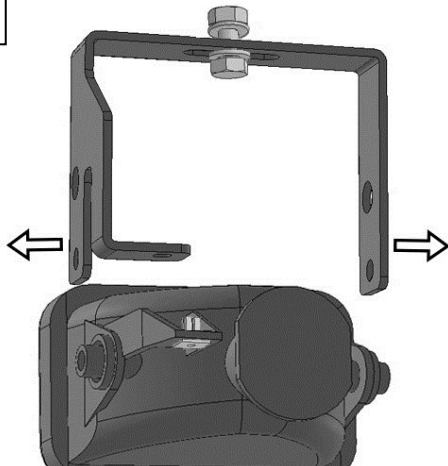
- Use a flat blade screwdriver to carefully pop out the tabs on the side of the fog light bracket attaching the light to the bracket, **(Figure 1)**. Pop the light out of the plastic bracket housing.
- Remove the adjustment screw and spring from the light assembly.
- Select the passenger/right top U Bracket (item 4), **(Figure 12)**. Attach the Bracket to the slot in the light opening with the included (1) M8 Hex Bolt (item 16), (2) M8 Flat Washers (item 17) and (1) M8 Nylon Lock Nut (item 18), **(Figure 12)**.
- Carefully spread the sides of the Bracket enough to slide the OE plastic fog light between and into the Bracket, **(Figure 13)**. Select (1) Lower U-Bracket (item 5). Attach the Lower Bracket to the Upper Bracket with (2) M6 Hex Bolts (item 20), (2) M6 Lock Washers (22) and (2) M6 Small Flat Washers (item 21), **(Figure 14)**.
- Insert the factory spring between the tab on the Bracket and the light. Insert the screw through the tab, spring and into the fog light, **(Figure 15)**.
- Repeat to install the driver/left fog light.

Fig 12



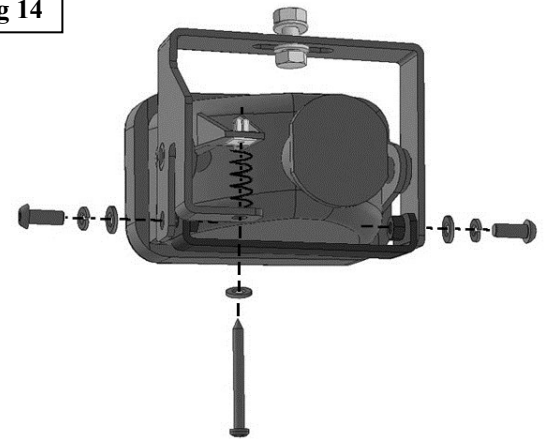
Optional OEM fog light installation (light not included). Attach passenger/right Upper Bracket to the slot in top of the opening

Fig 13



Carefully spread sides to slide OEM fog light into position in pivot holes

Fig 14



Attach lower U Bracket to Upper Bracket. Reuse factory adjustment hardware (screw, spring and plastic nut)

14. Re-attach the factory wiring harness. Adjust lights as necessary and tighten all fog light bracket hardware.
15. Do periodic inspections to the installation to make sure that all hardware is secure and tight.

INSTALLATION COMPLETE

Light Bar, Recovery Shackles & Side Steps sold separately



CARE INSTRUCTIONS

- REGULAR WAXING IS RECOMMENDED. DO NOT USE ANY TYPE OF POLISH OR WAX THAT MAY CONTAIN ABRASIVES.
- STAINLESS STEEL PRODUCTS CAN BE CLEANED WITH MILD SOAP AND WATER. STAINLESS STEEL POLISH SHOULD BE USED TO POLISH SMALL SCRATCHES.
- GLOSS BLACK FINISHES SHOULD BE CLEANED WITH MILD SOAP AND WATER.

WESTIN

Westin Automotive Products, Inc.
320 W. Covina Blvd
San Dimas, Ca. 91773

Thank you for choosing Westin products
for additional installation assistance please call
Customer Service (800) 793-7846
www.westinautomotive.com



WARNING



Failure to follow these instructions could lead to death, personal injury, and / or property damage.

Failure to follow these instructions could lead to death, personal injury, and / or property damage.

FASTENERS:

All Westin supplied fasteners must be utilized and installed in accordance with the installation instructions and apply torque to the specifications as defined. **DOUBLE CHECK ALL FASTENERS BEFORE INITIAL USE, AND PERIODICALLY IN THE FUTURE TO ENSURE PROPER FUNCTION AND SAFETY.**

DRILLING:

Most Westin products do not require drilling for installation. If drilling is defined as required, use caution when drilling a vehicle. **FAILURE TO REVIEW AN AREA TO BE DRILLED MAY RESULT IN PERSONAL INJURY AND/OR INJURY TO OTHERS AS WELL AS VEHICLE DAMAGE.**

EYE PROTECTION:

ALWAYS WEAR SAFETY GLASSES OR GOGGLES DURING THE INSTALLATION PROCESS TO AVOID PERSONAL INJURY.

MAXIMUM TOWING/CARRYING CAPACITY: (if applicable)

The Westin Receiver Hitches will have a visible tow rating label affixed directly on the product. User should never exceed the vehicle manufacturers maximum tow and weight rating regardless of the capacity of the hitch. **FAILURE TO FOLLOW THESE GUIDELINES WILL VOID THE WESTIN WARRANTY AND MAY RESULT IN PERSONAL INJURY AND/OR INJURY TO OTHERS AS WELL AS VEHICLE DAMAGE.**

FOR CALIFORNIA RESIDENTS ONLY-PROP 65 WARNING:

Some products may contain chemicals such as DEHP, which can cause cancer, birth defects or other reproductive harm. For more info go to www.p65warnings.ca.gov



Westin Automotive Products, Inc.
320 W. Covina Blvd
San Dimas, Ca. 91773